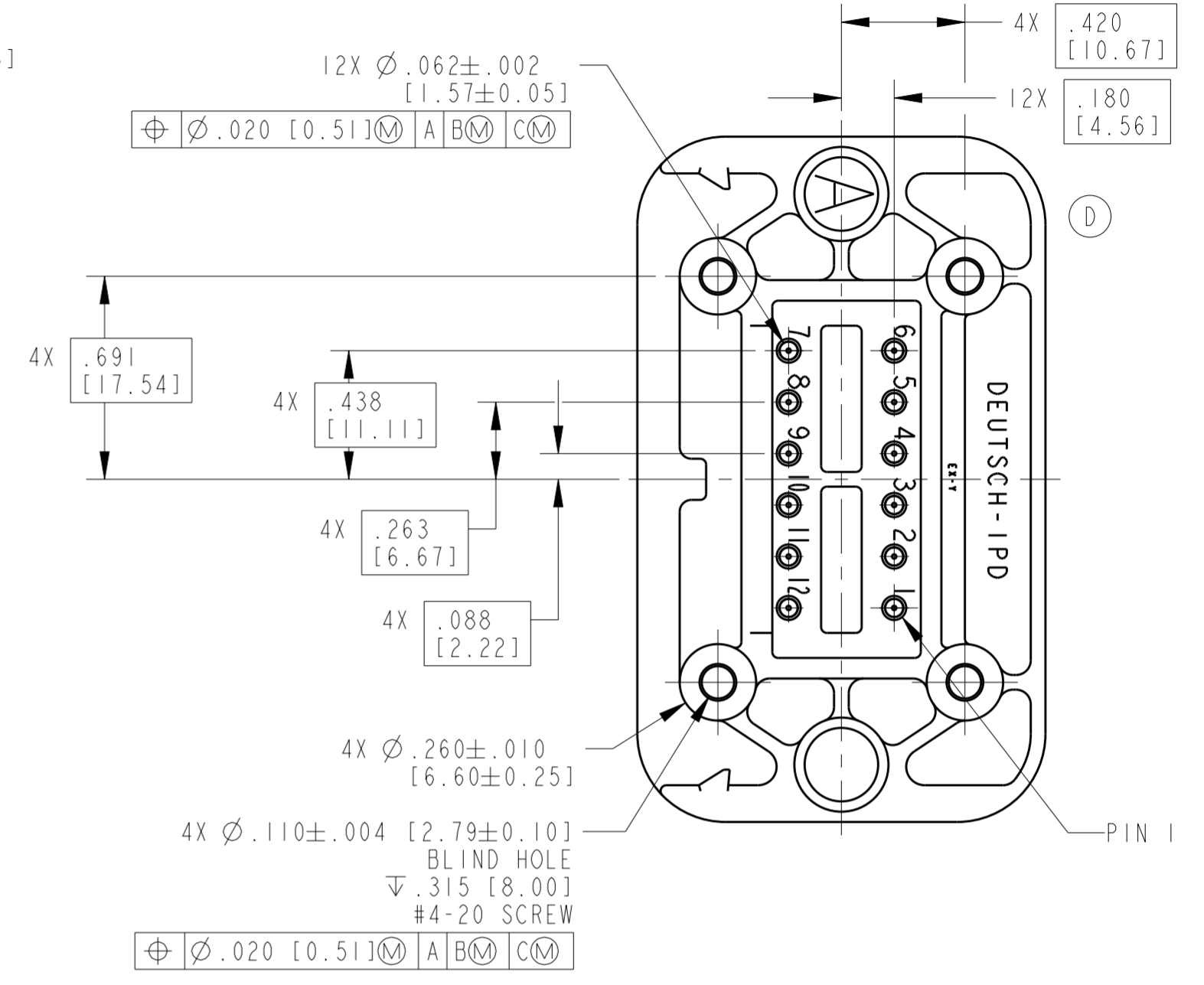
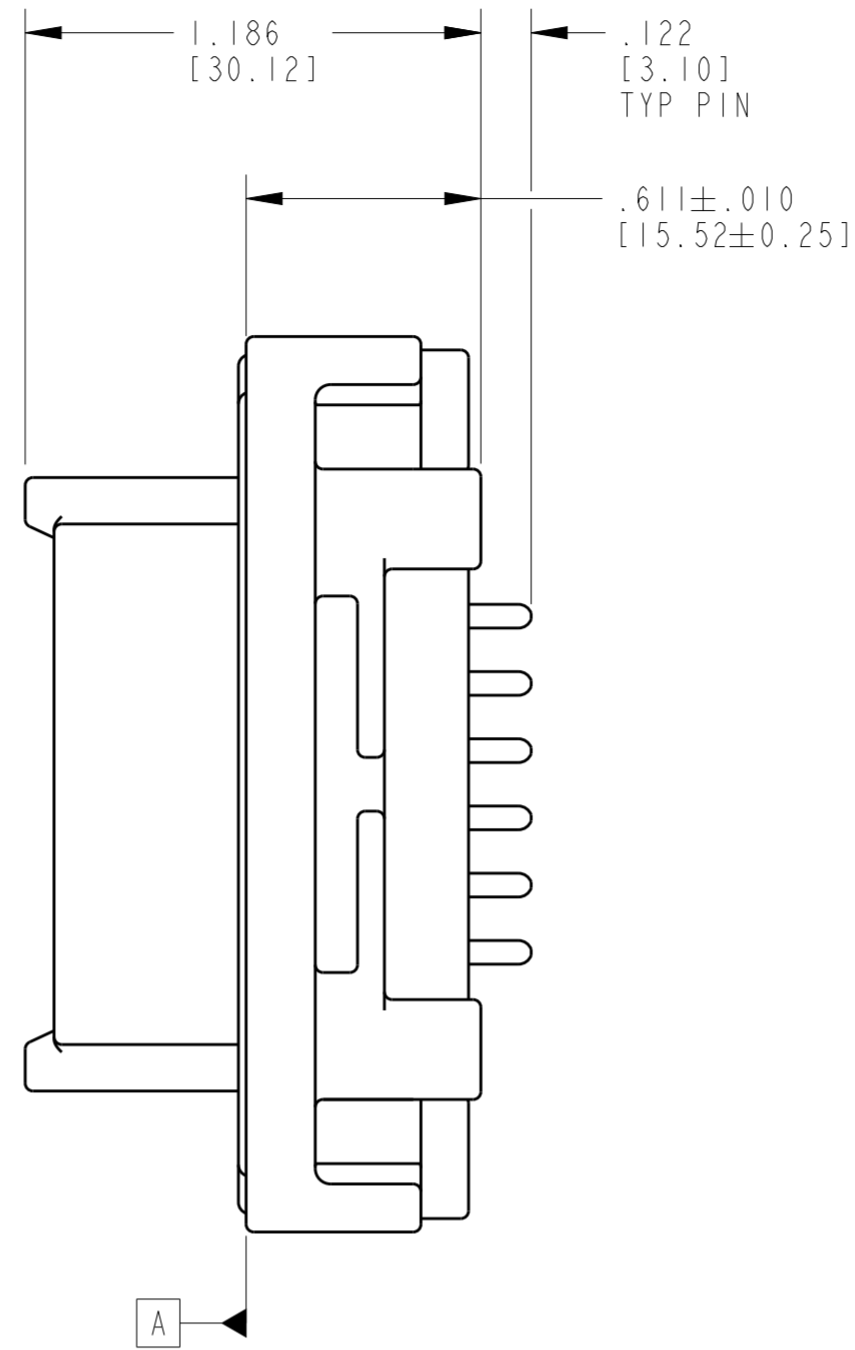
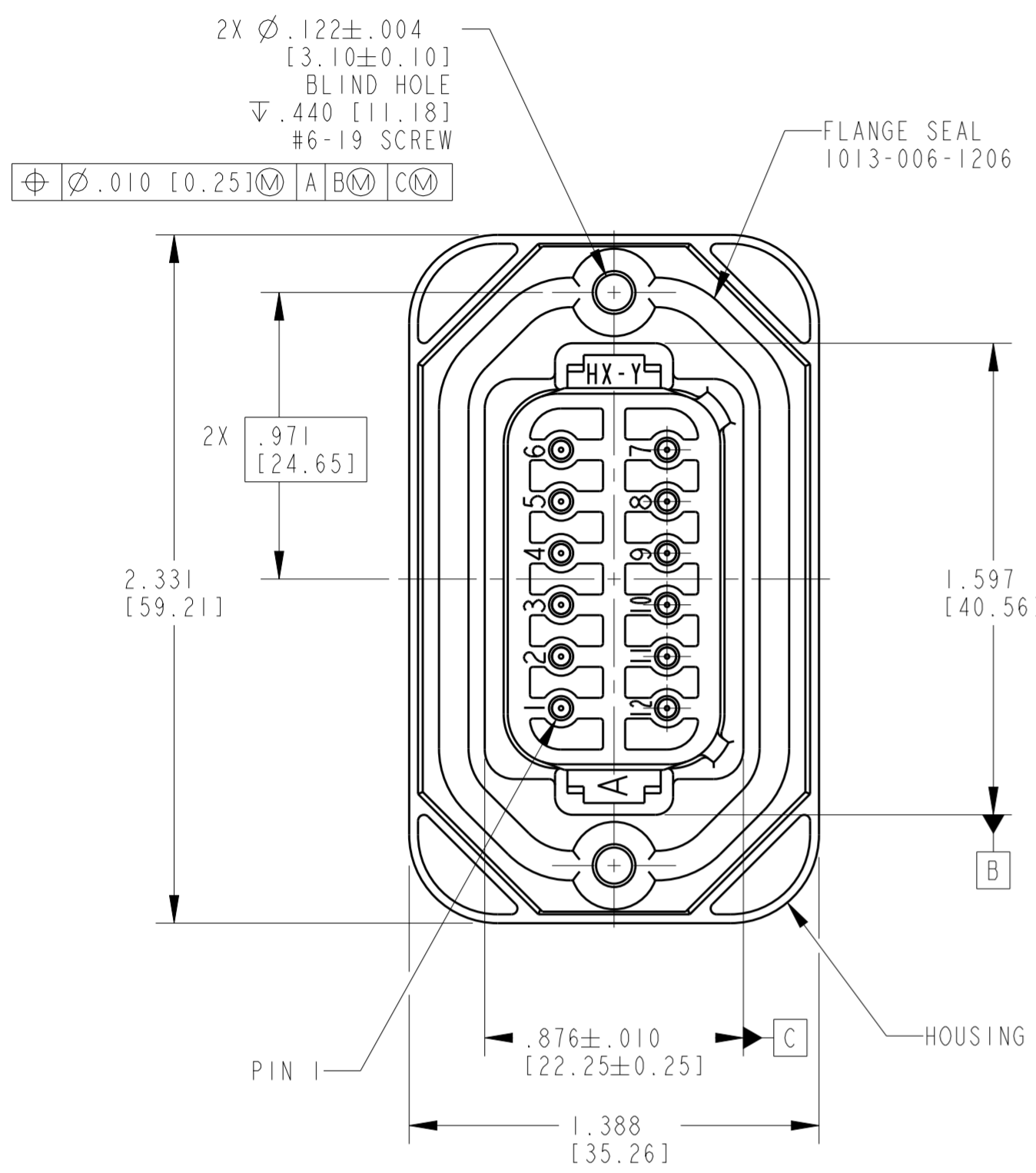


THIS DRAWING IS UNPUBLISHED. RELEASED FOR PUBLICATION 2017
 © COPYRIGHT 2017 BY - ALL RIGHTS RESERVED.

REVISIONS				
P	LTR	DESCRIPTION	DATE	APVD
C2		REVISED PER ECO-16-006330	24MAR2016	VNB DM
C3		REVISED PER ECO-16-009538	24JUN2016	JA DM
D		REVISED PER PCN :E-17-013520	25JUL2017	DD DM
D1		REVISED PER PCN :E-20-011899	21AUG2020	DB IG



9 ALTERNATE HOUSING DESIGN RELATED TO MOLDING TOOL.

8 MOUNTING SURFACE SPECIFICATIONS:
 SURFACE FINISH: 32 µin [0.81 µm] Ra OR LESS
 FLATNESS: .005 in/in [0.13 mm/mm] MAX

7. SEE SHEET 2 FOR RECOMMENDED PANEL CUTOUTS.

6. SEE SHEET 3 FOR OTHER KEY ARRANGEMENTS.

5. MOUNTING SCREW TORQUE VALUES ARE AS FOLLOWS:
 #6-19 SCREWS: 11-13 IN-LB [1.24-1.46 N-m].
 #4-20 SCREWS: 4-9 IN-LB [.45-1.01 N-m].
 VALUES VALID FOR PLASTITE 48 SCREWS ONLY.

4. RECOMMENDED MOUNTING SCREWS (NOT INCLUDED): CAMCAR PLASTITE 48, SINGLE HELIX.

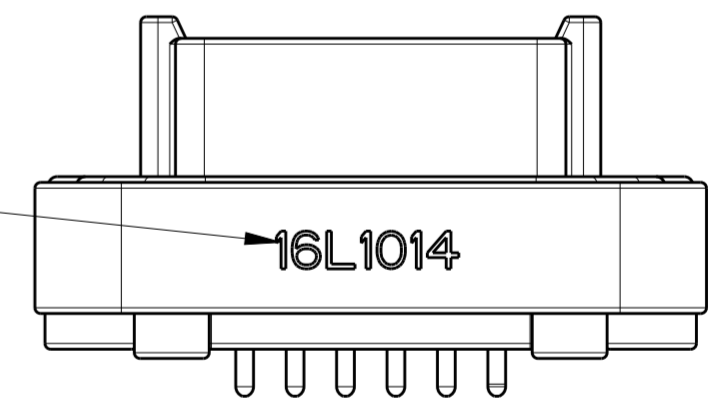
3. THIS RECEPTACLE MATES WITH DT06-12SX PLUG (X = A,B,C,D KEYS, XXXX = ALL MODIFICATIONS).

2. CONTACT PLATING - MATING SIDE: NICKEL; PCB SIDE: TIN

1 MATERIALS:
 HOUSING & PIN ALIGNMENT PLATE: PA46 GF30 (SEE SHEET 3 FOR COLORS)
 FLANGE SEAL: SILICONE (RED-ORANGE)
 PIN CONTACTS: COPPER ALLOY

NOTES:

7 DIGIT DATECODE
 YEAR: FIRST AND SECOND DIGITS. (16 = 2016)
 MONTH: THRID DIGIT, EXCLUDING 1. A = JAN.,
 B = FEB., C = MARCH... (L = NOVEMBER)
 DAY: FOURTH AND FIFTH DIGITS (10 = 10th DAY)
 HOUR: SIXTH AND SEVENTH DIGITS (14 = 2-3PM)

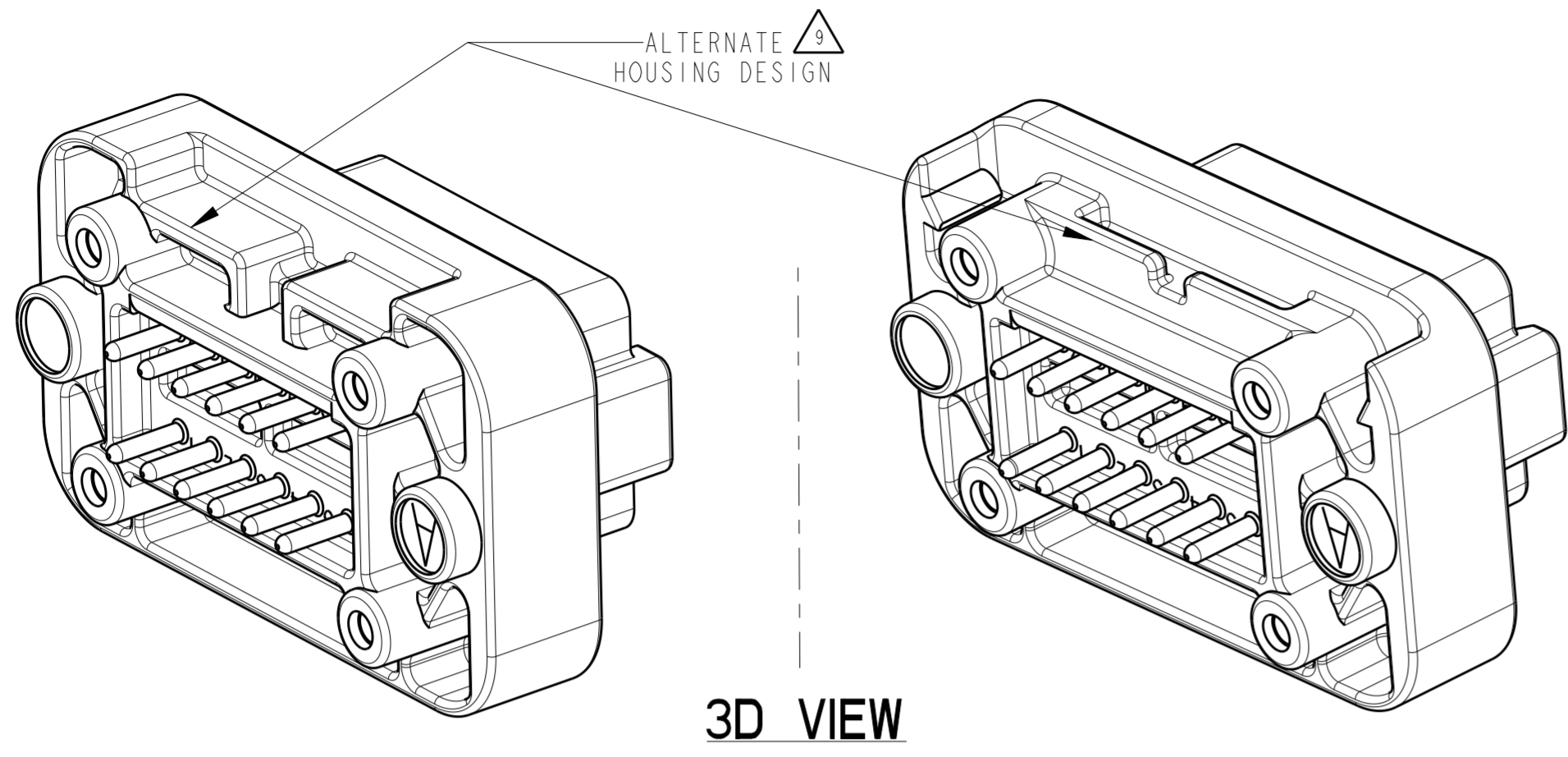


TE INTERNAL PN	DEUTSCH PN
DT15-12PA	DT15-12PA
DT15-12PB	DT15-12PB
DT15-12PC	DT15-12PC
DT15-12PD	DT15-12PD

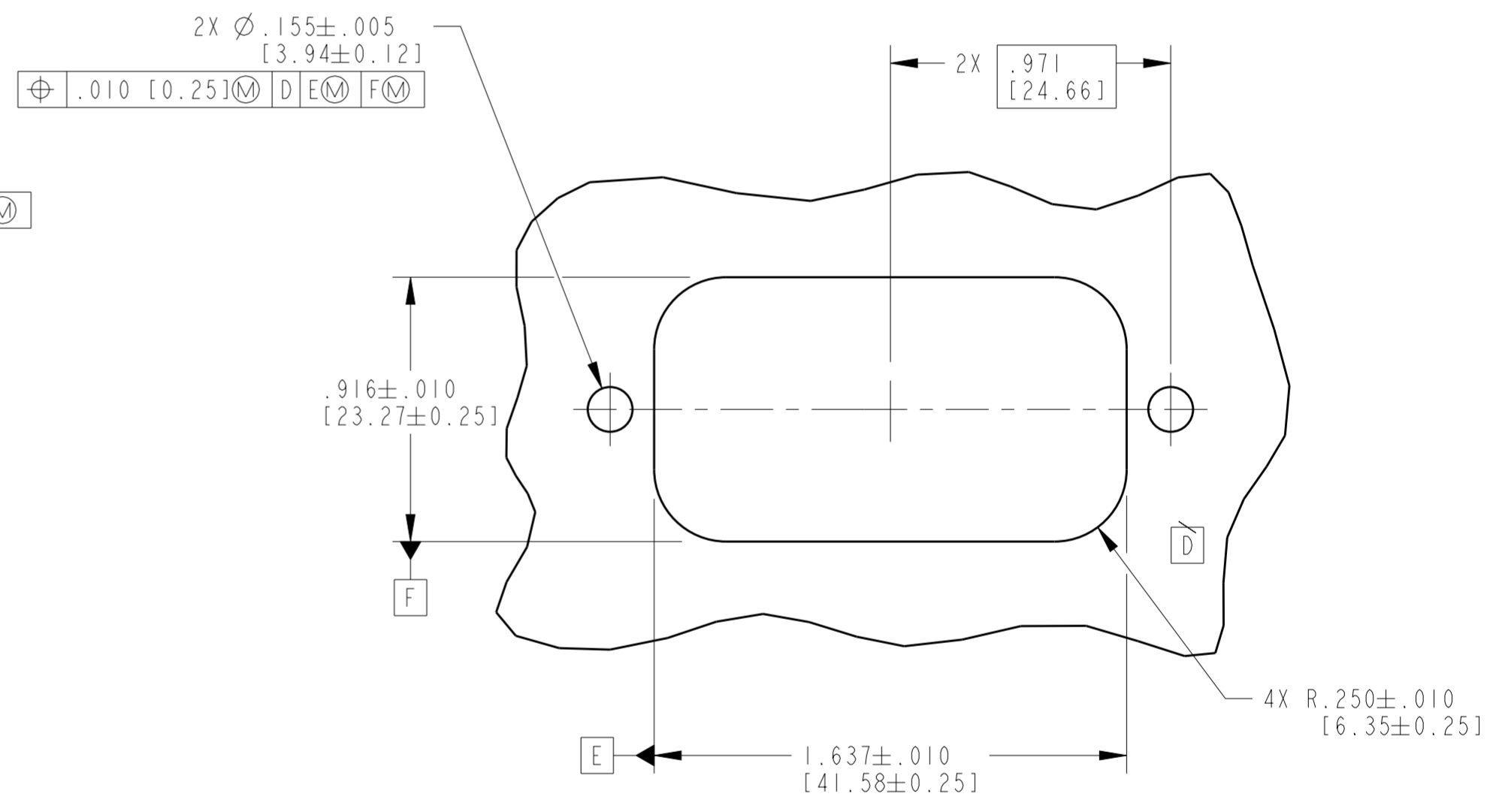
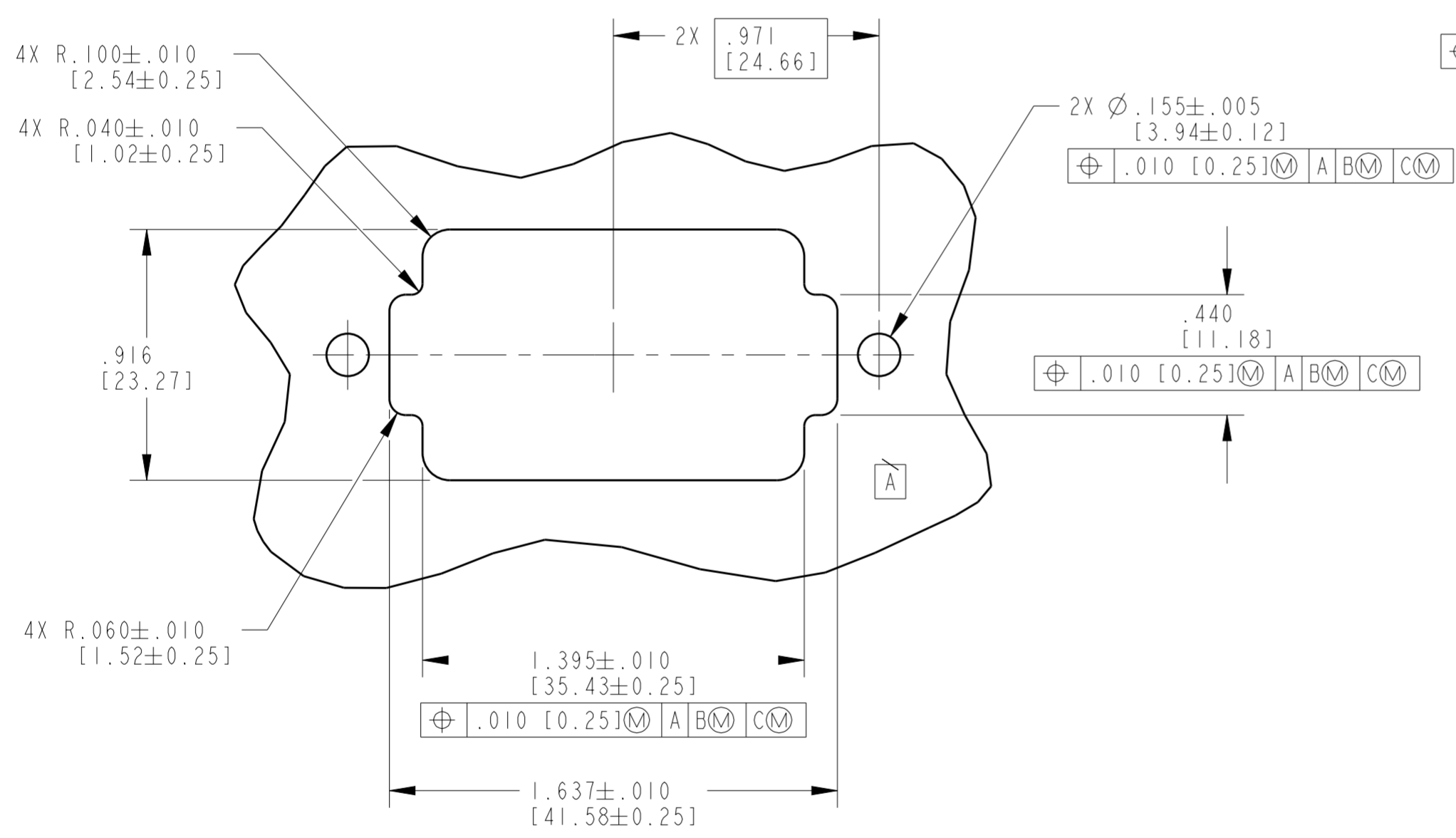
THIS DRAWING IS A CONTROLLED DOCUMENT.		DWN P. BURKE 08JUN2001	TE Connectivity	
DIMENSIONS: in [mm]		CHK K. MCKEE 03JUL2014		
TOLERANCES UNLESS OTHERWISE SPECIFIED:		APVD D. MEYER 03JUL2014	NAME RECEPTACLE HEADER	
0 PLC ±	1 PLC ±	PRODUCT SPEC 108-151009	12 PIN 180 DEG. DT SERIES	
2 PLC ±	3 PLC ±.025 [0.64]	APPLICATION SPEC -	SIZE A2	CAGE CODE 4AFU8
4 PLC ±	ANGLES ±0°30'0	WEIGHT 33.4 (g)	DRAWING NO. DT15-12PX	RESTRICTED TO -
MATERIAL 1	FINISH -	CUSTOMER DRAWING	SCALE 2:1	SHEET 1 OF 3 REV D1

THIS DRAWING IS UNPUBLISHED. RELEASED FOR PUBLICATION 2017
 © COPYRIGHT 2017 BY - ALL RIGHTS RESERVED.

REVISIONS				
P	LTR	DESCRIPTION	DATE	APVD
-	-	SEE SHEET 1	-	-



3D VIEW

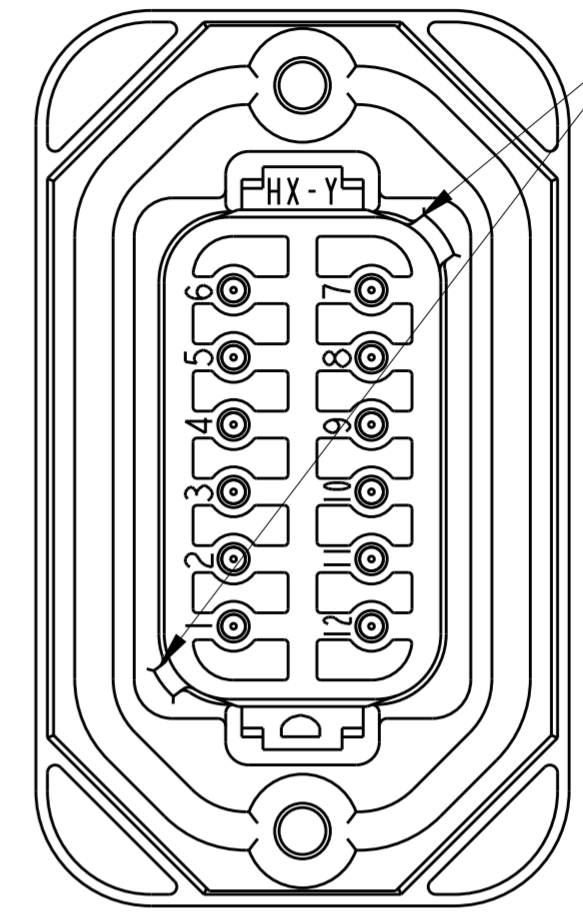
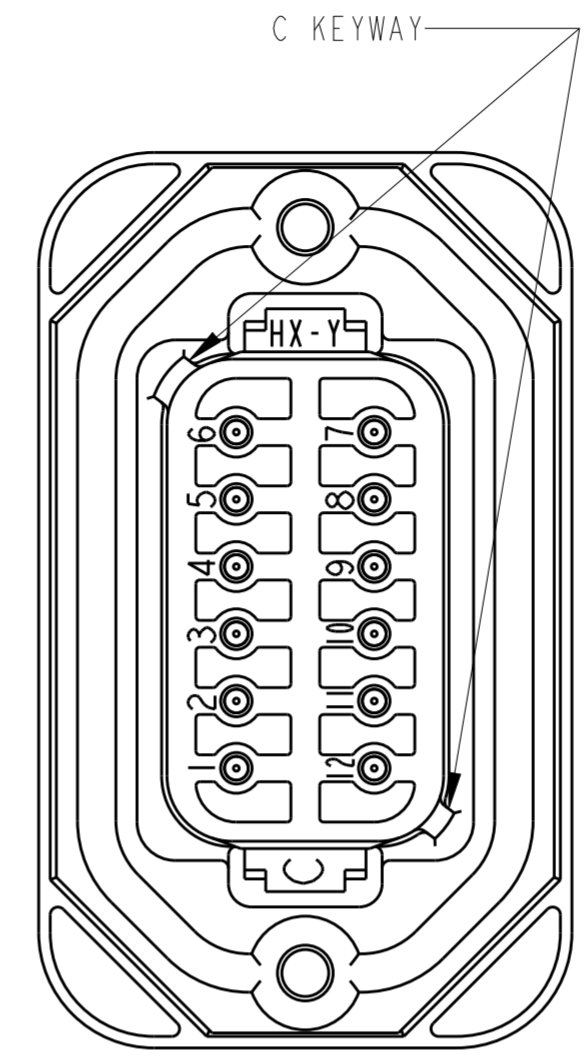
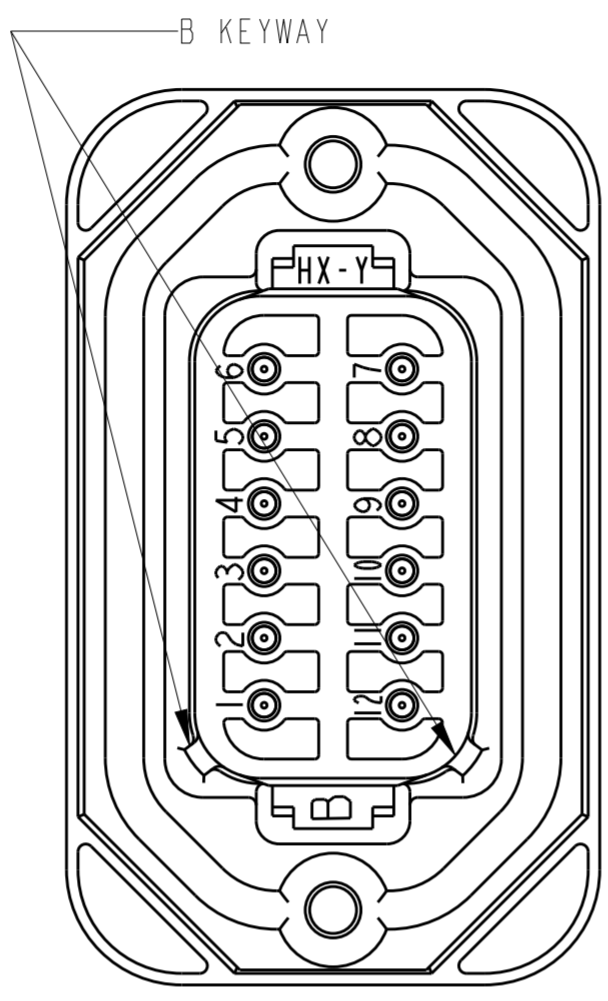
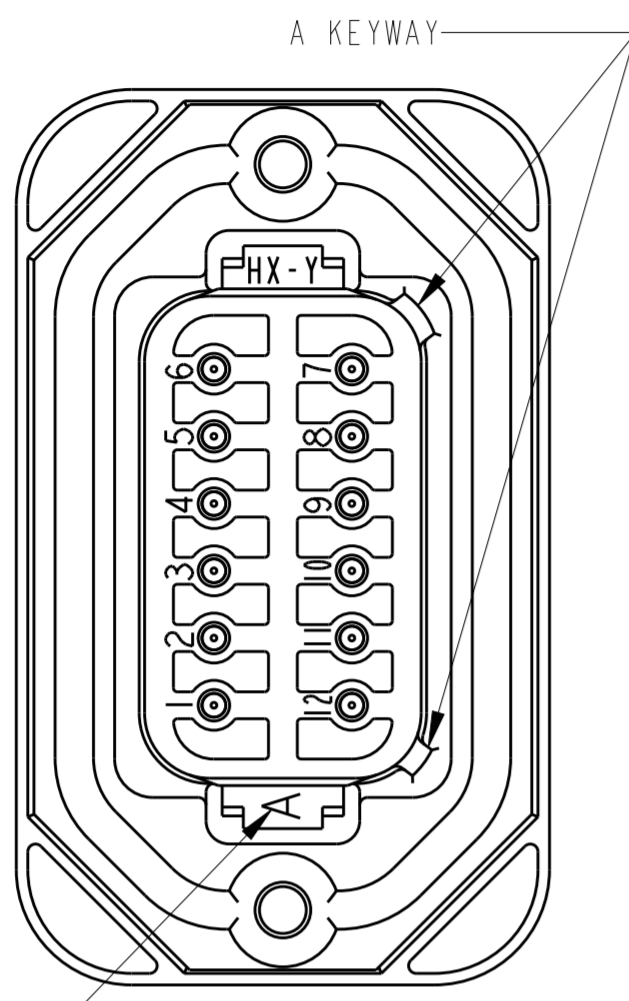


8 RECOMMENDED PANEL CUTOUTS

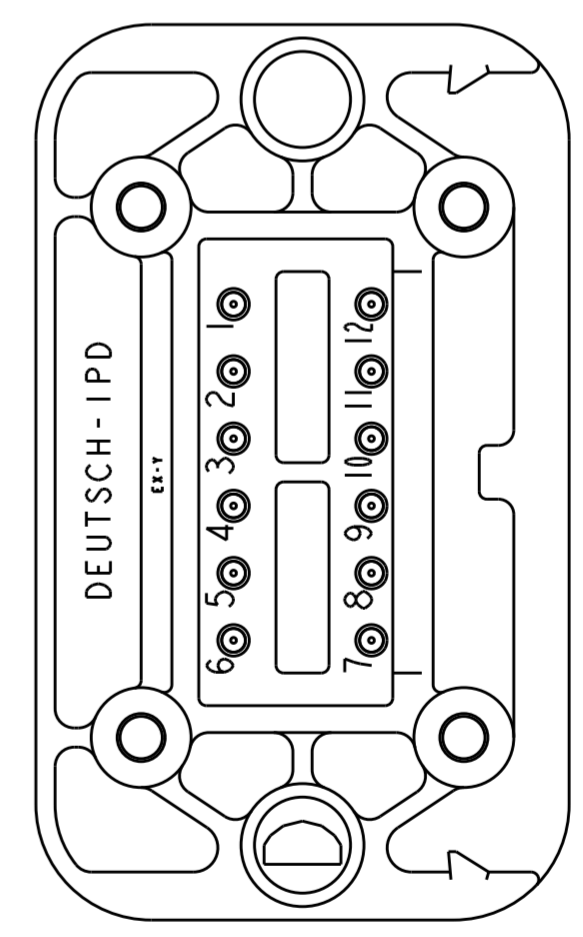
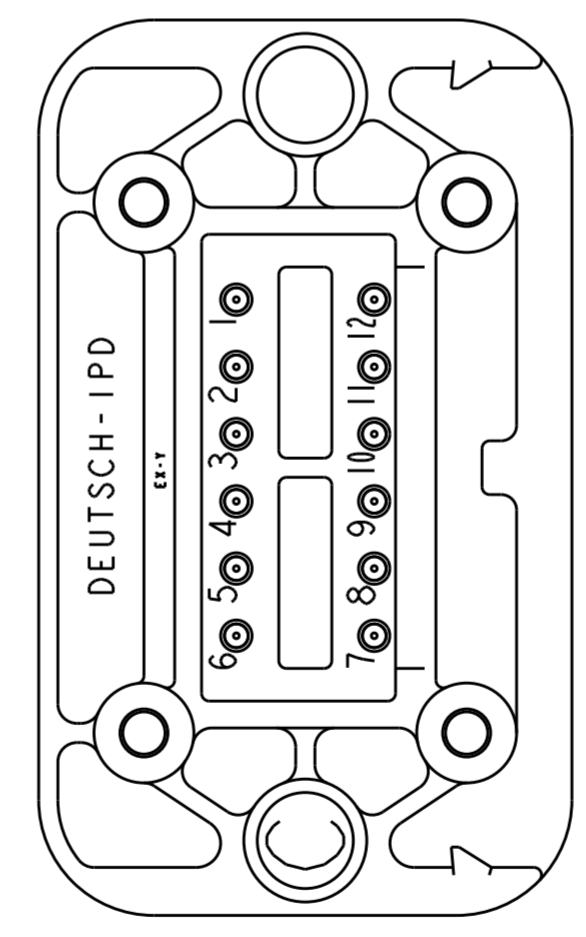
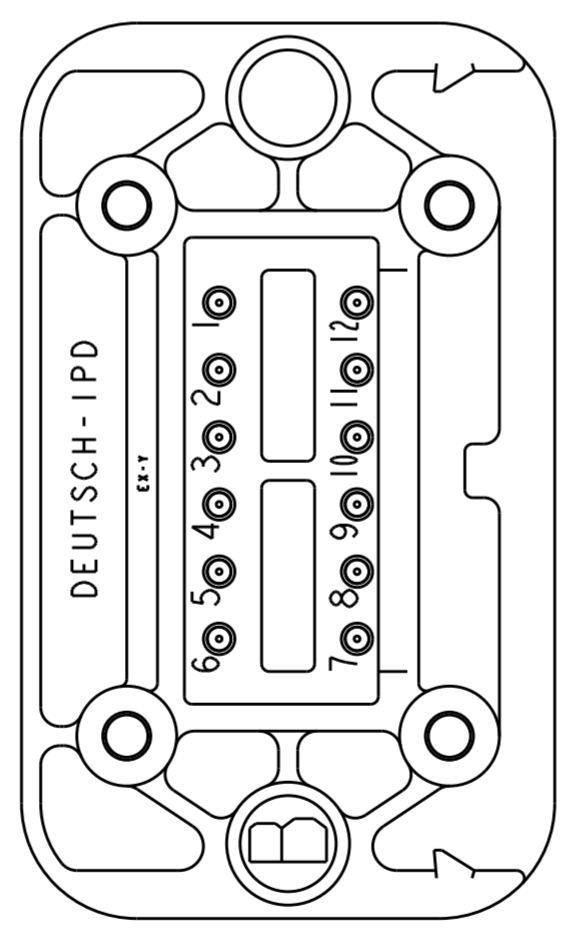
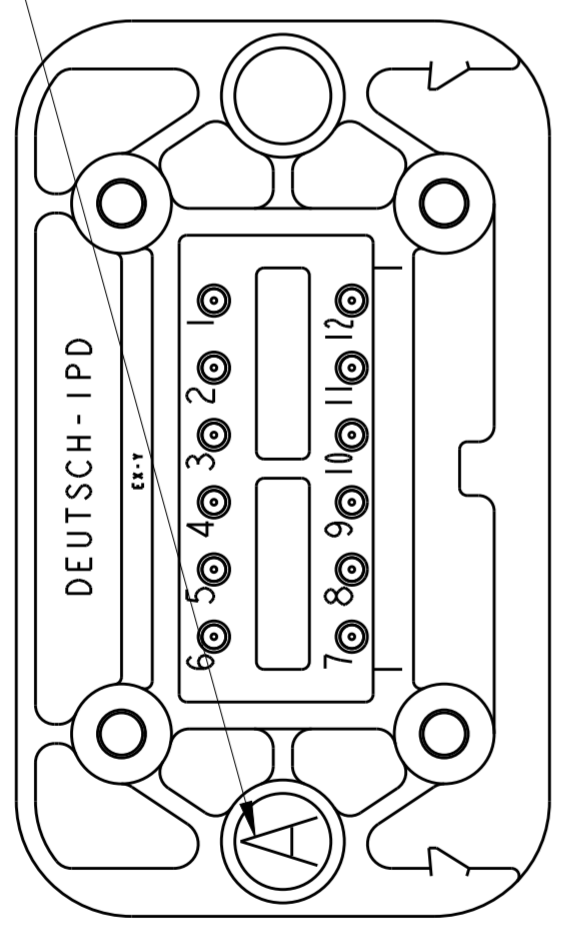
THIS DRAWING IS A CONTROLLED DOCUMENT.		DWN P. BURKE 08JUN2001	TE Connectivity	
DIMENSIONS: in [mm]		CHK K. MCKEE 03JUL2014		
TOLERANCES UNLESS OTHERWISE SPECIFIED:		APVD D. MEYER 03JUL2014	NAME RECEPTACLE HEADER 12 PIN 180 DEG. DT SERIES	
0 PLC ±- 1 PLC ± 2 PLC ± 3 PLC ±.025 [0.64] 4 PLC ± ANGLES ±0°30'0" FINISH -		PRODUCT SPEC 108-151009	SIZE A2	CAGE CODE 4AFU8
MATERIAL		APPLICATION SPEC -	DRAWING NO. C-DT15-12PX	RESTRICTED TO -
		WEIGHT 33.4 (g)	SCALE 2:1	SHEET 2 OF 3
CUSTOMER DRAWING		REV D1		

THIS DRAWING IS UNPUBLISHED. RELEASED FOR PUBLICATION 2017
 © COPYRIGHT 2017 BY - ALL RIGHTS RESERVED.

REVISIONS				
P	LTR	DESCRIPTION	DATE	APVD
-		SEE SHEET 1		



KEYING ARRANGEMENT INDICATOR, TYP



DT15-12PA
COLOR GREY

DT15-12PB
COLOR BLACK

DT15-12PC
COLOR GREEN

DT15-12PD
COLOR BROWN

THIS DRAWING IS A CONTROLLED DOCUMENT.		DWN P. BURKE 08JUN2001	TE Connectivity	
DIMENSIONS: in [mm]		CHK K. MCKEE 03JUL2014		
TOLERANCES UNLESS OTHERWISE SPECIFIED:		APVD D. MEYER 03JUL2014	NAME RECEPTACLE HEADER 12 PIN 180 DEG. DT SERIES	
0 PLC ± 1 PLC ± 2 PLC ± 3 PLC ±.025 [0.64] 4 PLC ± ANGLES ±0°30'0" FINISH		PRODUCT SPEC 108-151009	SIZE A2	CAGE CODE 4AFU8
MATERIAL		APPLICATION SPEC	DRAWING NO DT15-12PX	RESTRICTED TO
		WEIGHT 33.4 (g)	SCALE 2:1	SHEET 3 OF 3
		CUSTOMER DRAWING	REV D1	